

5G/4G IoT HD Bullet IP Camera

C240



Introduction

C240 IoT RTU camera as the main product of the intelligent IoT surveillance system, specially designed for industrial-grade IoT applications. The camera can provide long distances and low latency HD video wirelessly by using the industrial 4G/5G module. At the same time, the built-in high-performance industrial-grade MCU will acquire data from various types of sensors and process basic protocol conversion, performs AI video analysis at the front-end in real-time.



High Performance

- ▶ Support various IoT protocol
- ▶ Embedded RTU function allow user to do active acquisition from sensors
- ▶ Integrated with most common IoT interfaces
- ▶ Remote management SYSLOG/SNMP/TELNET/SSH/HTTPS
- ▶ H.265, optimized in bit rate, bandwidth, and storage usage, 50% off than H.264.
- ▶ Super WDR, up to 140dB wide dynamic range
- ▶ Support remote management & upgrade



Stability & Reliability

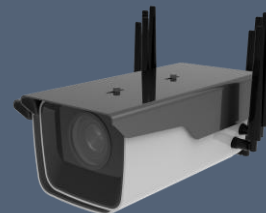
- ▶ WDT Watchdog design to ensure system stability
- ▶ Adopt a complete anti-drop mechanism
- ▶ Built-in 1.5KV electromagnetic isolation protection for Ethernet interface
- ▶ RS232/RS485 interface power and data isolation with CSA, UL and IEC standards
- ▶ SIM/UIM card interface built-in 15KV ESD protection
- ▶ Built-in reverse phase protection and over voltage protection for power interface



Standard & Convenience

- ▶ Standard RS232, RS485 and Ethernet interfaces
- ▶ Front-end edge integration and equipment intercommunication linkage
- ▶ Easy to use, flexible, multiple working mode options
- ▶ Support DIN-rail, pole-mounted installation

5G/4G IoT HD Bullet IP Camera C240



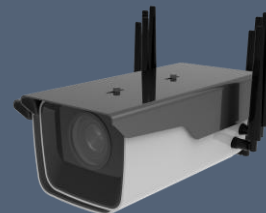
Industrial-grade Design

- ▶ High-performance industrial-grade wireless module
- ▶ SONY top-level CMOS sensor
- ▶ Metal casing, protection grade IP67. Metal housing and system safety isolation
- ▶ Industrial-grade components

Product Specification

Camera			
Model	C240-21 (Fixed Len)	C240-216 (16X)	C240-516 (16X)
Items	Contents		
Image Sensor	1/2.8" Progressive Scan CMOS		
Resolution	2MP 5MP (only for C240-516 model)		
Min. Illumination	Color: 0.002Lux@F1.2 B/W: 0Lux with IR on		
Shutter Time	1/100000s~1/5s		
IR Distance	150m		
Day & Night	ICR Filter Auto Switch		
Lens	Fixed Lens 2.8mm @F2.0	16X AF Motorized Lens 5.85~93.6mm @F1.8~F3.9	
Field of View	H123°/D142°/V68°	H55.4°~H3.55° D62.6°~D4.05° V31.6°~V2°	
Video			
Items	Contents		
Max. Image Resolution	1920x1080 / 2560x1920		
Primary Stream	30fps@(1920x1080, 1280x960,1280x720, 704x576)		
Secondary Stream	30fps@(704x576, 640x480, 640x360, 352x288, 320x240, 320x192, 320x176)		
Tertiary Stream	30fps@(1920x1080, 1280x720, 704x576, 640x480, 640x360, 320x240, 320x192, 320x176)		
Video Compression	H.265(HEVC)/H.264/MJPEG		
Bit Rate	16Kbps~16Mbps (CBR/VBR Adjustable)		
Image Setting	Brightness/Contrast/Saturation/Sharpness		

5G/4G IoT HD Bullet IP Camera C240



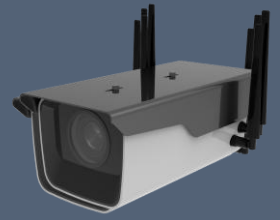
Network	
Items	Contents
Ethernet	1*RJ45 10M/100M Ethernet Port
Network Storage	NAS (Support NFS, SMB/CIFS)
Protocol	IPv4/IPv6, TCP, UDP, RTP, RTSP, RTCP, HTTP, HTTPS, DNS, DHCP, NTP, SNMP, NFS, CIFS
System	
Items	Contents
Storage	Support microSD/SDHC/SDXC Card Local Storage, up to 512G
Advanced Function	Motion Detection, Privacy Masking, Backlight Compensation, HLC, 2D DNR, 3D DNR, ROI, Anti-fog, White Balance, EIS, IP Address Filtering
Event Trigger	Motion Detection, Network Disconnection, External Input, etc.
Event Action	FTP Upload/SMTP Upload/SD Card Record
Video Analysis (Optional)	Region Entrance, Region Exiting, Advanced Motion Detection, Tamper Detection, Line Crossing, Loitering, Human Detection, People Counting, Object Left, Object Removed (* In development)
Cellular (Optional)	
Items	Contents
Standard & Band	5G, LTE FDD, LTE TDD, EVDO, WCDMA, TD-SCDMA, CDMA1X, GPRS/EDGE
Bandwidth	5G NR: Downstream rate 3.4Gbps, uplink rate 350Mbps FDD-LTE: Downstream rate 150Mbps, uplink rate 50Mbps TD-LTE: Downstream rate 130Mbps, uplink rate 35Mbps
Transmit Power	<23dBm
Sensitivity	<-97dBm
GPS (Optional)	
Items	Contents
GPS Module	Industrial GPS module , compatible with Beidou, GLONASS
Accuracy	Positioning: 2.5m CPE SBAS: 2.0m CPE
Sensitivity	Tracking: -160dBm Recapture: -160dBm Cold Boot: -146dBm

5G/4G IoT HD Bullet IP Camera C240

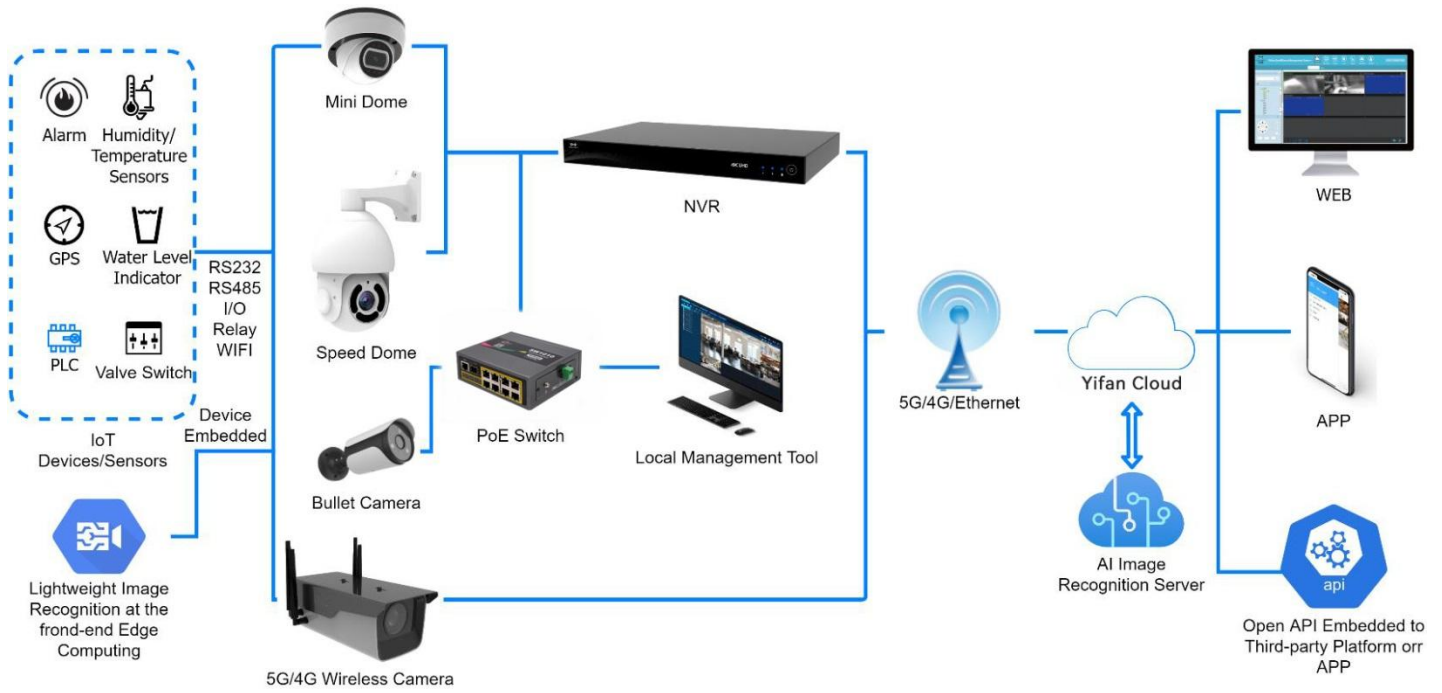


Interfaces (* = Optional)	
Items	Contents
DC-12V IN*	Standard DC12V , Support 12~60V
Audio I/O @Audio Compression*	1/1&G.711/AAC
IO & Relay*	2 x DI, 2 x DO, 2 x Relay
ADC	2@12bit
UART*	2 x RS232 & 2 x RS485
Power Return*	12V@500MA & 5V@1000MA
Storage*	Internal Micro SD Slot, support Micro SD/Micro SDHC/Micro SDXC card (Support Maximum 512G) Internal 2.5" Hard Disk SATA interface, support maximum 4TB HDD or SSD (Fixed Len Version Only)
Network	1x RJ45 (POE)
Interface Type	M16 Waterproof Interface
Protocol & Industrial Standard	
Items	Contents
Protocol & Industrial Standard	Onvif Profile S GB/T28181-2016 Modbus RTU MQTT IEC101*, IEC104* (*In development)
Others	
Items	Contents
Working Temperature	-40°C~75°C
Working Humidity	0~90% (Non-condensing)
Power Supply	PoE (802.3at)
Power Consumption	Standby < 0.3W
	4G Date Mode < 4W
	4G Night Mode < 15W
Waterproof	IP67
Explosion-proof	IK09
Weight	4.5 KG
Dimensions	260*140*110mm (Without Accessories)
Warranty	1 Year

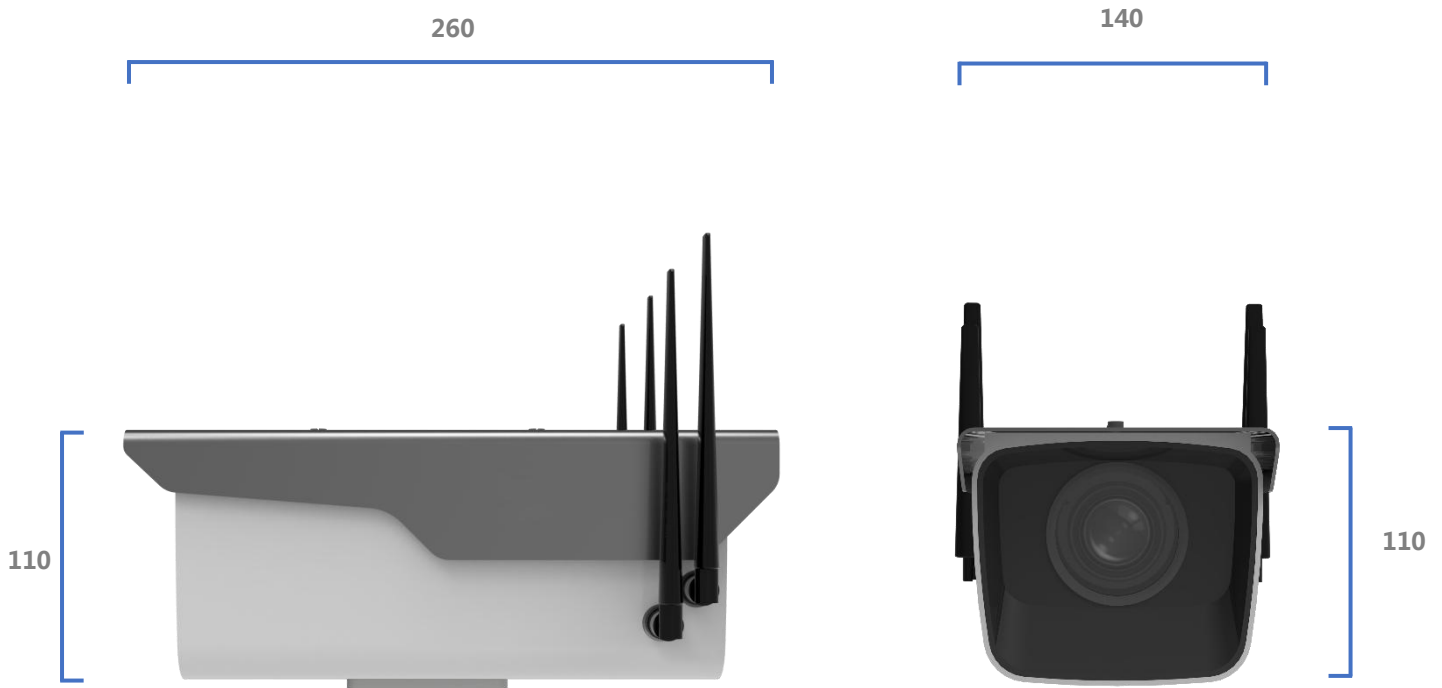
5G/4G IoT HD Bullet IP Camera C240



Topology

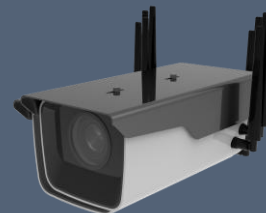


Dimension (mm)







Note: There may be differences between models of accessories and interfaces, actual products shall prevail

5G/4G IoT HD Bullet IP Camera C240



Accessories (Optional)

Cardan Joint 1	Cardan Joint 2	Bracket	Motorized PTZ Bracket *In development
			

Order Information

Models	Megapixel	Lens	Description
C240-21-5G	2MP	Fixed Lens	SD, DC&POE, 5G High-speed Module, Support 2.5-inch HDD/SSD
C240-216-5G	2MP	16X AF Motorized Lens	SD, DC&POE, 5G High-speed Module
C240-21-4G	2MP	Fixed Lens	SD, DC&POE, 4G High-speed Module Support 2.5-inch HDD/SSD
C240-216-4G	2MP	16X AF Motorized Lens	SD, DC&POE, 4G High-speed Module
C240-516-5G	5MP	16X AF Motorized Lens	SD, DC&POE, 5G High-speed Module